

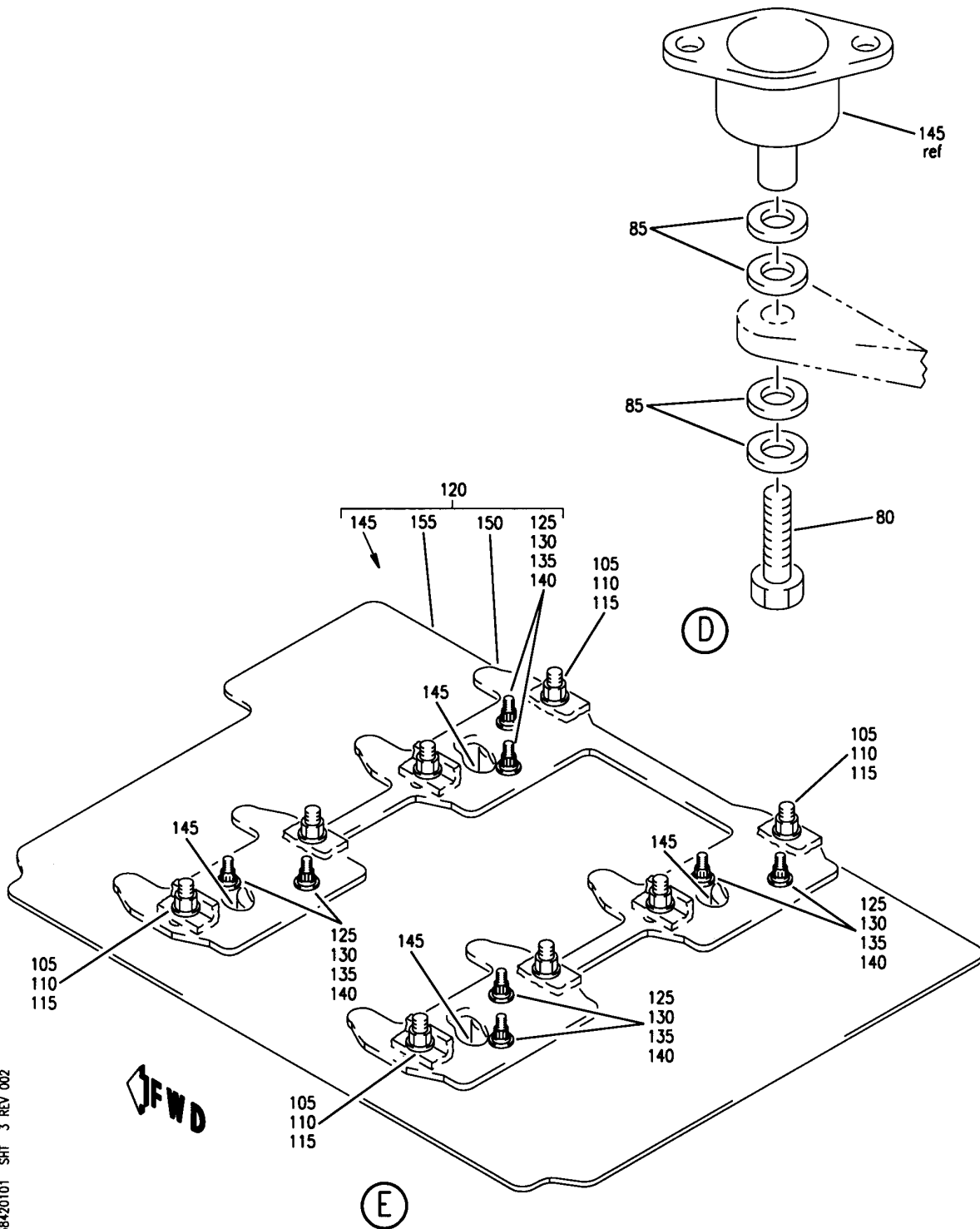
E 38420101 SHT 2 REV 119

COMPRESSOR INSTL-WATER SYS AIR  
FIGURE 1 (SHEET 2)

**38-42-01-01**

NBD  
OCT 15/14

38-42-01-01  
PAGE 0A



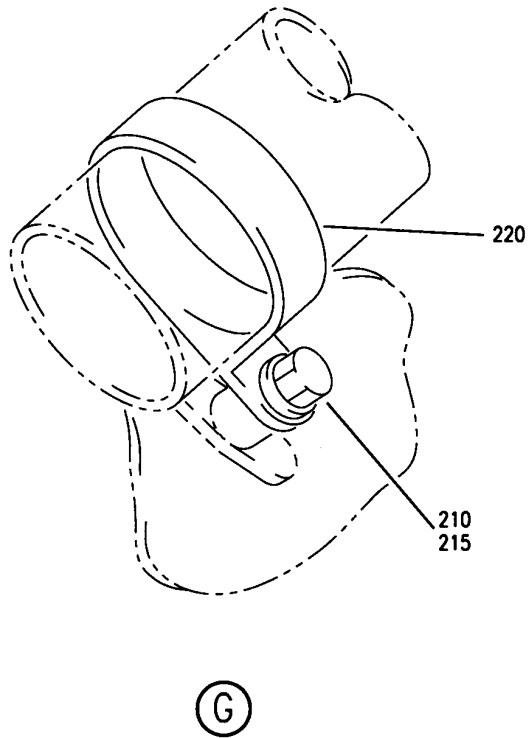
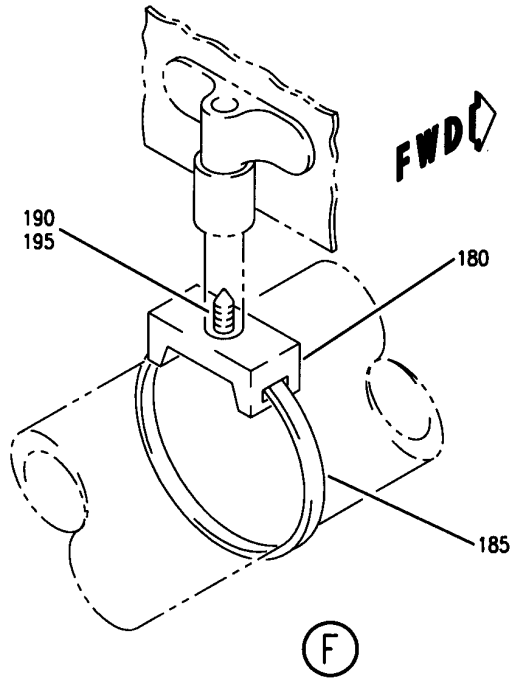
E 38420101 SHT 3 REV 002

COMPRESSOR INSTL-WATER SYS AIR  
FIGURE 1 (SHEET 3)

**38-42-01-01**

NBD  
OCT 15/14

38-42-01-01  
PAGE 0B



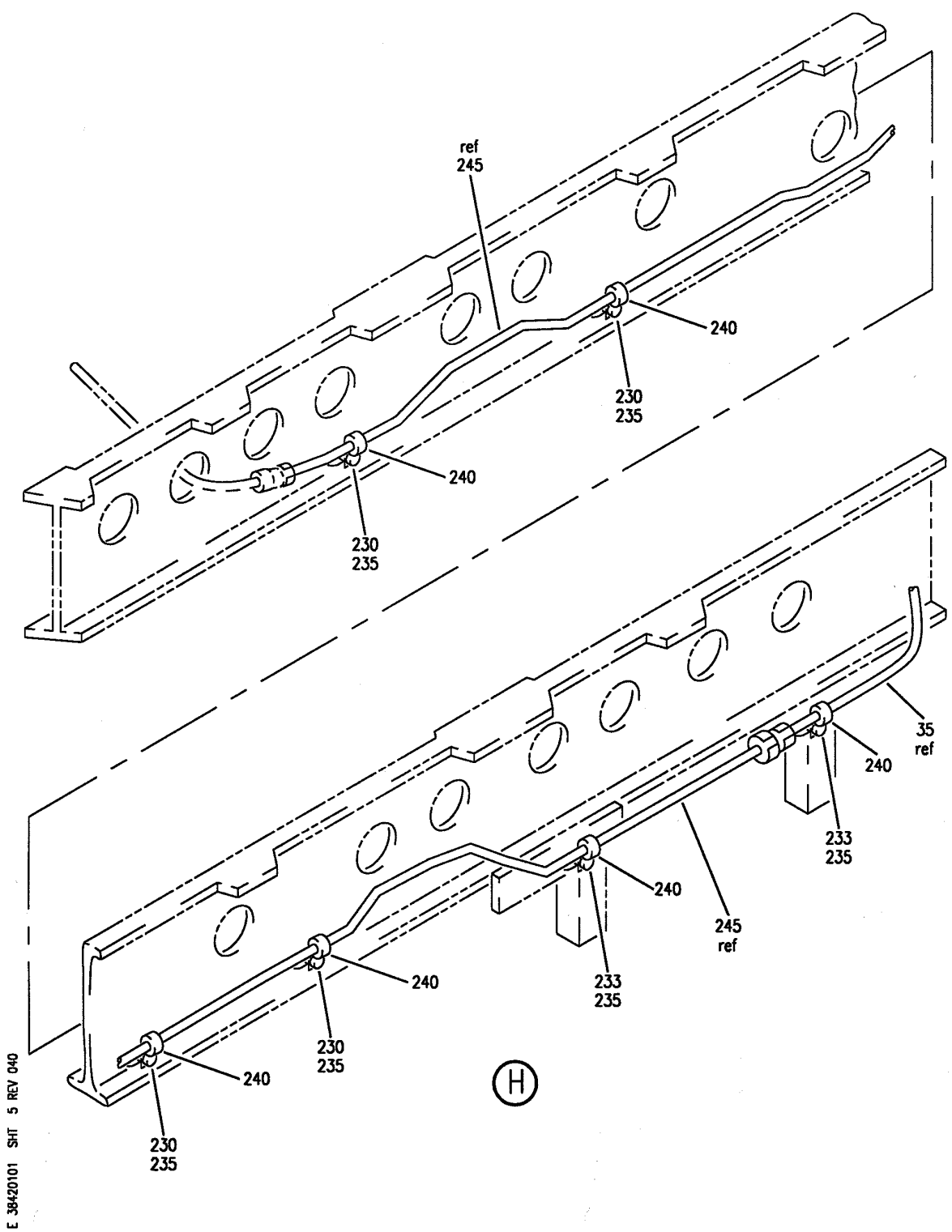
E\_38420101\_SHT\_4\_REV\_002

COMPRESSOR INSTL-WATER SYS AIR  
FIGURE 1 (SHEET 4)

**38-42-01-01**

NBD  
OCT 15/14

38-42-01-01  
PAGE 0C



E 38-42-01-01 SH1 5 REV 040

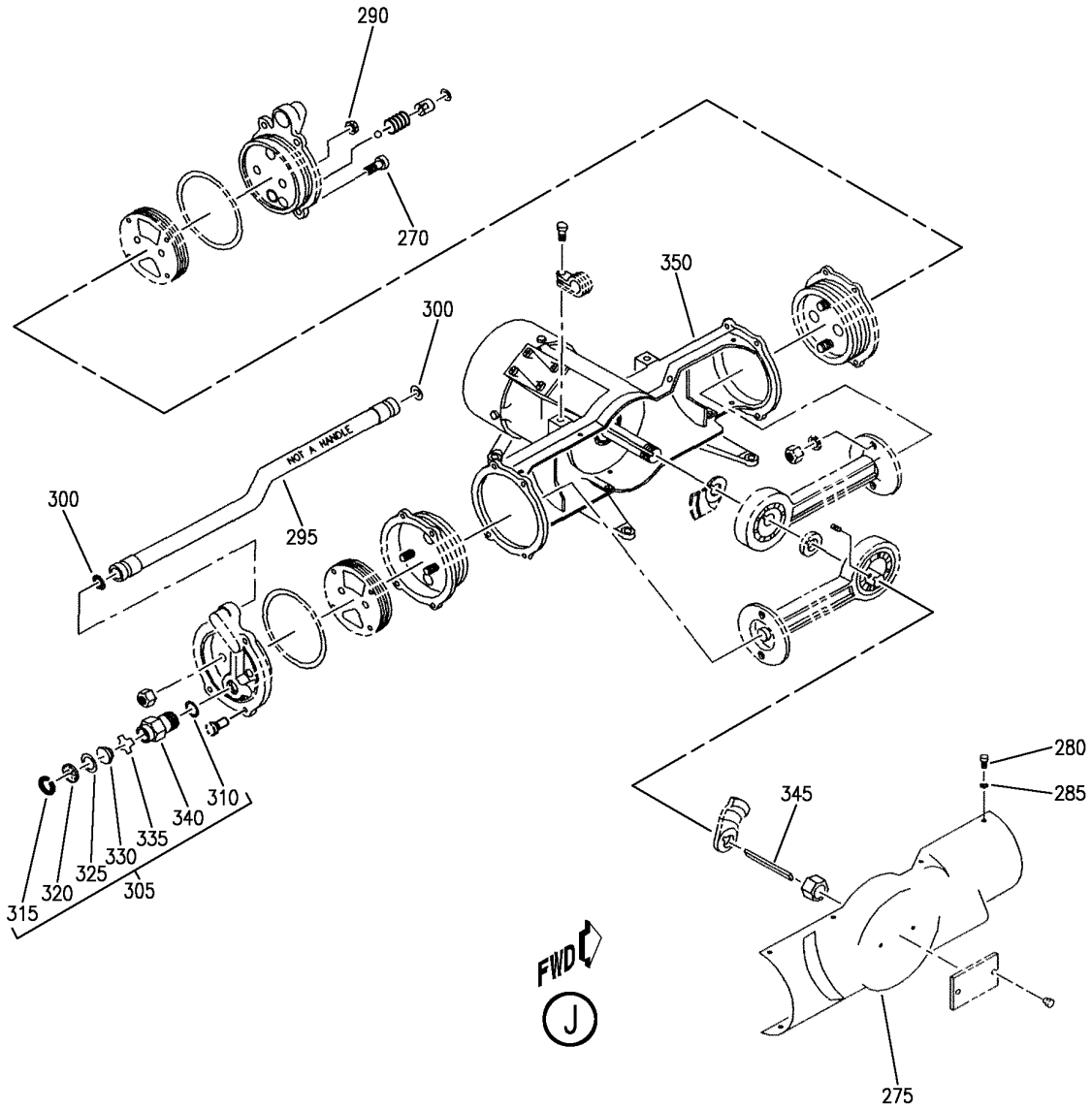
COMPRESSOR INSTL-WATER SYS AIR  
FIGURE 1 (SHEET 5)

# 38-42-01-01

NBD  
OCT 15/14

38-42-01-01  
PAGE 00

E 38420101 SHT 6 REV 119



COMPRESSOR INSTL-WATER SYS AIR  
FIGURE 1 (SHEET 6)

# 38-42-01-01

NBD  
OCT 15/14

38-42-01-01  
PAGE 0E

以上内容仅为本文档的试下载部分，为可阅读页数的一半内容。如要下载或阅读全文，请访问：<https://d.book118.com/178135037106006132>