

Copyright and confidentiality

The contents of this document are proprietary and confidential property of Nokia Solutions and Networks. This document is provided subject to confidentiality obligations of the applicable agreement(s).

This document is intended for use of Nokia Solutions and Networks customers and collaborators only for the purpose for which this document is submitted by Nokia Solutions and Networks. No part of this document may be reproduced or made available to the public or to any third party in any form or means without the prior written permission of Nokia Solutions and Networks. This document is to be used by properly trained professional personnel. Any use of the contents in this document is limited strictly to the use(s) specifically created in the applicable agreement(s) under which the document is submitted. The user of this document may voluntarily provide suggestions, comments or other feedback to Nokia Solutions and Networks in respect of the contents of this document ("Feedback"). Such

Feedback may be used in Nokia Solutions and Networks products and related specifications or other documentation. Accordingly, if the user of this document gives Nokia Solutions and Networks feedback on the contents of this document, Nokia Solutions and Networks may freely use, disclose, reproduce, license, distribute and otherwise commercialize the feedback in any Nokia Solutions and Networks product, technology, service, specification or other documentation.

Nokia Solutions and Networks operates a policy of ongoing development. Nokia Solutions and Networks reserves the right to make changes and improvements to any of the products and/or services described in this document or withdraw this document at any time without prior notice.

The contents of this document are provided "as is". Except as required by applicable law, no warranties of any kind, either express or implied, including, but not limited to, the implied warranties of

merchantability and fitness for a particular purpose, are made in relation to the accuracy, reliability or contents of this document. NOKIA SOLUTIONS AND NETWORKS SHALL NOT BE RESPONSIBLE IN ANY EVENT FOR ERRORS IN THIS DOCUMENT or for any loss of data or income or any special, incidental, consequential, indirect or direct damages howsoever caused, that might arise from the use of this document or any contents of this document.

This document and the product(s) it describes are protected by copyright according to the applicable laws.

Nokia is a registered trademark of Nokia Corporation. Other product and company names mentioned herein may be trademarks or trade names of their respective owners.

© Nokia Solutions and Networks 2015

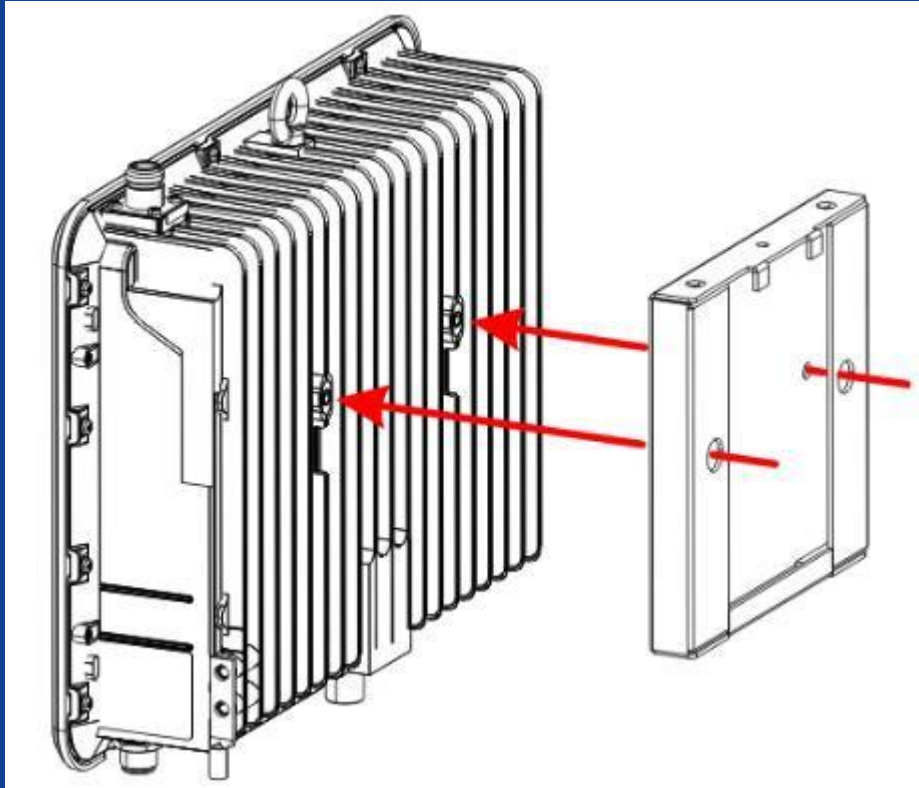
Objectives

- List Flexi Zone Micro LTE BTS installation options.
- Describe how to install Flexi Zone Micro LTE BTS on a vertical pole.
- Describe how to install Flexi Zone Micro LTE BTS on a horizontal pole.
- Explain how to install Flexi Zone Micro LTE BTS on a wall.
- List Flexi Zone Micro LTE BTS installation optional items.
- Explain how to install optional items.

Content

- Installing Flexi Zone Micro BTS on a wall
- Installing Flexi Zone Micro BTS on a vertical pole
- Installing Flexi Zone Micro BTS on a horizontal pole
- Cabling Flexi Zone Micro BTS
- Optional Items
- Installing Optional Items

Installing Flexi Zone Micro BTS on a wall



1. Fix the interface bracket to the Flexi Zone Micro BTS with two M6x16 hexagonal screws.

以上内容仅为本文档的试下载部分，为可阅读页数的一半内容。如要下载或阅读全文，请访问：<https://d.book118.com/185101131203011043>