

## REMOVAL

(2005/11-2006/01)

1. **DISCONNECT CABLE FROM NEGATIVE BATTERY TERMINAL**

**CAUTION:**

Wait at least 90 seconds after disconnecting the cable from the negative (-) battery terminal to prevent airbag and seat belt pretensioner activation.

2. **REMOVE FRONT DOOR SCUFF PLATE LH**

(a) Using a screwdriver, detach the 10 claws and remove the scuff plate.

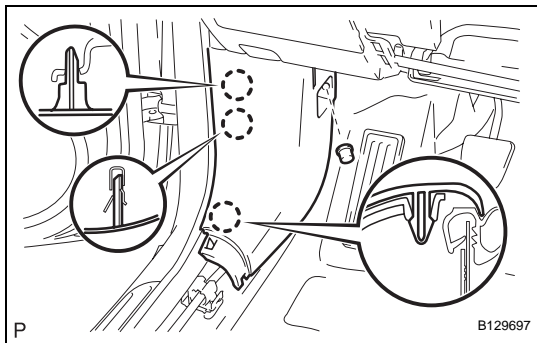
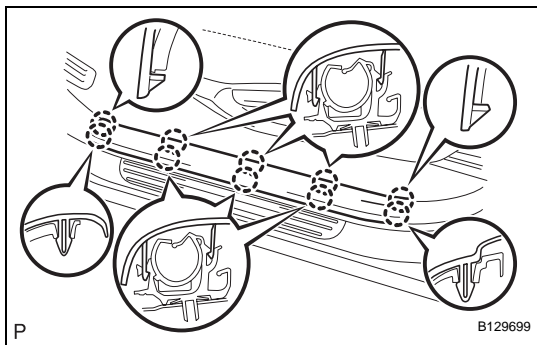
**HINT:**

Tape the screwdriver tip before use.

3. **REMOVE FRONT DOOR SCUFF PLATE RH**

**HINT:**

Use the same procedures described for the LH side.



4. **REMOVE COWL SIDE TRIM BOARD LH**

(a) Remove the cap nut.

(b) Using a screwdriver, detach the 3 claws and remove the trim board.

**HINT:**

Tape the screwdriver tip before use.

5. **REMOVE COWL SIDE TRIM BOARD RH**

**HINT:**

Use the same procedures described for the LH side.

6. **REMOVE FRONT DOOR OPENING TRIM WEATHERSTRIP LH**

7. **REMOVE FRONT DOOR OPENING TRIM WEATHERSTRIP RH**

8. **REMOVE INSTRUMENT CLUSTER FINISH PANEL ASSEMBLY (See page IP-4)**

9. **REMOVE COMBINATION METER ASSEMBLY (See page IP-5)**

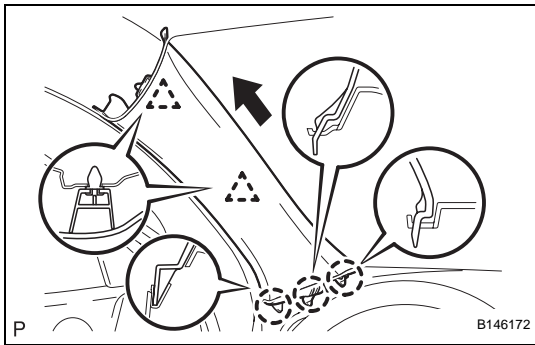
10. **REMOVE NO. 2 INSTRUMENT CLUSTER FINISH PANEL CENTER (See page IP-5)**

11. **REMOVE NO. 1 INSTRUMENT CLUSTER FINISH PANEL CENTER (See page IP-5)**

12. **REMOVE RADIO RECEIVER (See page IP-5)**

13. **REMOVE INSTRUMENT PANEL REGISTER ASSEMBLY CENTER (See page IP-6)**

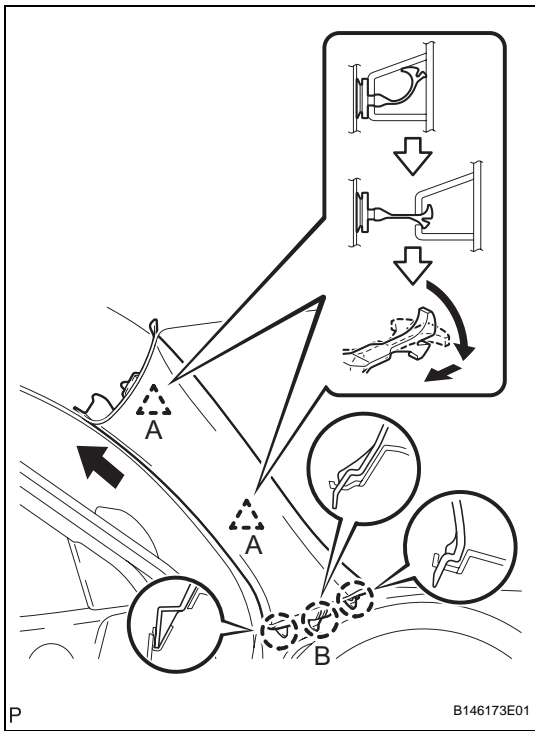
14. **REMOVE GLOVE COMPARTMENT DOOR ASSEMBLY (See page IP-20)**



**15. REMOVE FRONT PILLAR GARNISH LH**

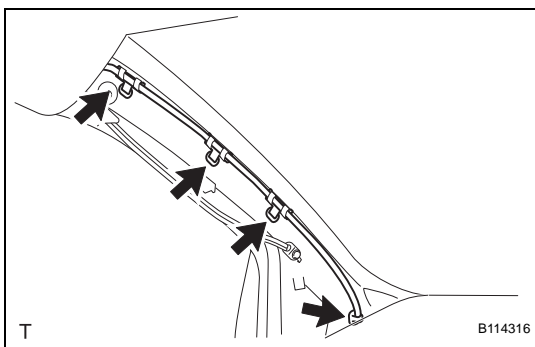
(a) w/o Curtain Shield Airbag:

- (1) Using a clip remover, detach the 2 clips.
- (2) Pull the garnish in the direction indicated by the arrow in the illustration to detach the 3 claws. Then remove the garnish.

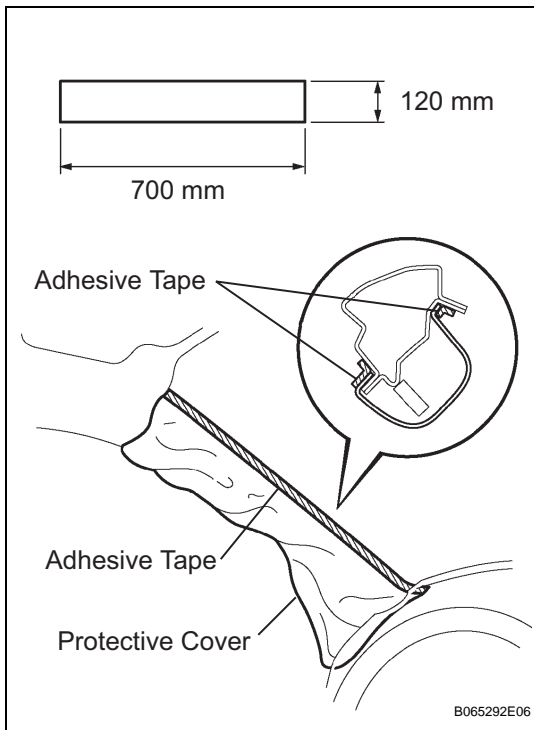


(b) w/ Curtain Shield Airbag:

- (1) Pull the pillar garnish so that the base of the 2 clips labeled A detach. Then pull until the tips of the 2 clips labeled A lock in the pillar garnish's holes.
- (2) Using needle-nose pliers, rotate the 2 clips labeled A 90°. Then pull the pillar garnish to release the tips of the 2 clips labeled A from the pillar garnish.
- (3) Pull the pillar garnish in the direction indicated by the arrow in the illustration to detach the 3 claws labeled B.
- (4) Remove the 2 clips labeled A from the vehicle body.



(c) Using a clip remover, remove the 4 wiring harness clamps.

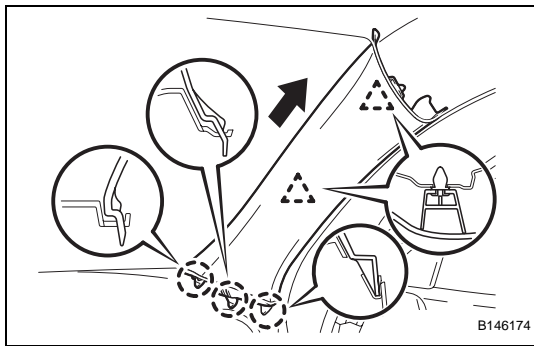


- (d) w/ Curtain Shield Airbag:
- (1) Thoroughly cover the airbag with cloth or nylon of 700 mm (27.56 in.) x 120 mm (4.72 in.) and fix the ends of the cover with adhesive tape, as shown in the illustration.

**NOTICE:**

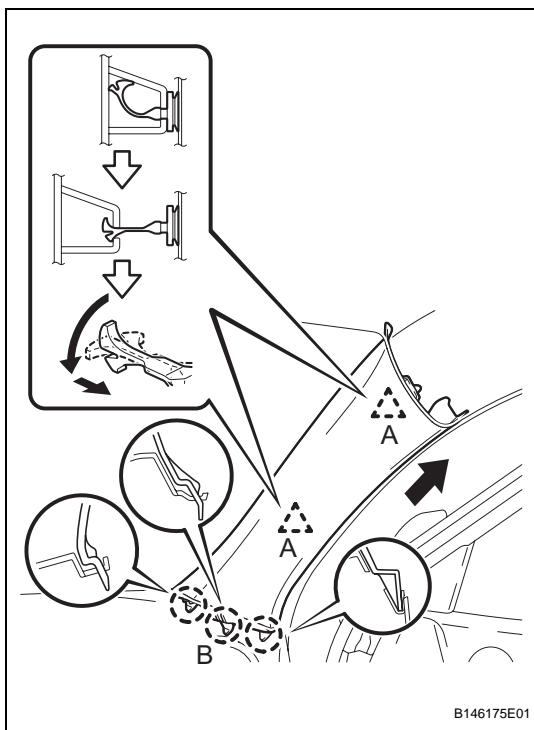
**Cover the curtain shield airbag with a protective cover as soon as the front pillar garnish is removed.**

IR

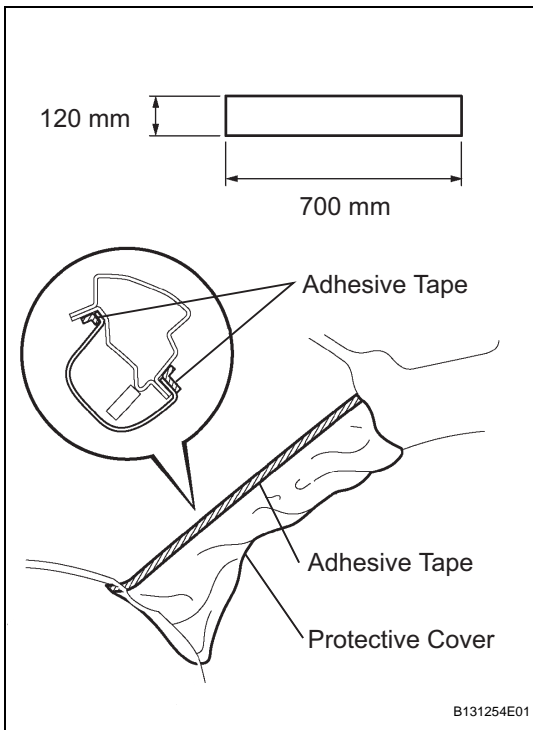


**16. REMOVE FRONT PILLAR GARNISH RH**

- (a) w/o Curtain Shield Airbag:
- (1) Using a clip remover, detach the 2 clips.
  - (2) Pull the garnish in the direction indicated by the arrow in the illustration to detach the 3 claws.
- Then remove the garnish.



- (b) w/ Curtain Shield Airbag:
- (1) Pull the pillar garnish so that the base of the 2 clips labeled A detach. Then pull until the tips of the 2 clips labeled A lock in the pillar garnish's holes.
  - (2) Using needle-nose pliers, rotate the 2 clips labeled A 90°. Then pull the pillar garnish to release the tips of the 2 clips labeled A from the pillar garnish.
  - (3) Pull the pillar garnish in the direction indicated by the arrow in the illustration to detach the 3 claws labeled B.
  - (4) Remove the 2 clips labeled A from the vehicle body.

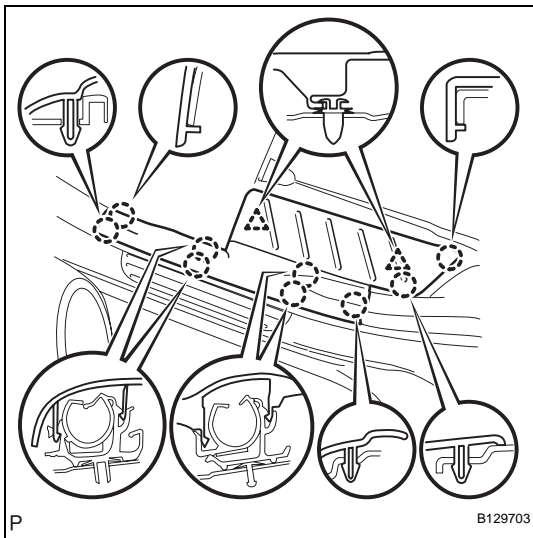


- (5) Thoroughly cover the airbag with cloth or nylon of 700 mm (27.56 in.) x 120 mm (4.72 in.) and fix the ends of the cover with adhesive tape, as shown in the illustration.

**NOTICE:**

**Cover the curtain shield airbag with a protective cover as soon as the front pillar garnish is removed.**

**17. REMOVE INSTRUMENT PANEL SUB-ASSEMBLY**  
(See page [IP-6](#))



**18. REMOVE REAR DOOR SCUFF PLATE LH**

- (a) Using a screwdriver, detach the 9 claws.

HINT:

Tape the screwdriver tip before use.

- (b) Using a clip remover, detach the 2 clips and remove the garnish.

**19. REMOVE REAR DOOR SCUFF PLATE RH**

HINT:

Use the same procedures described for the LH side.

**20. REMOVE REAR DOOR OPENING TRIM WEATHERSTRIP LH**

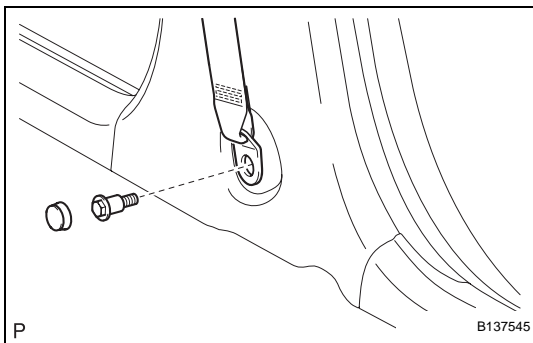
**21. REMOVE REAR DOOR OPENING TRIM WEATHERSTRIP RH**

**22. REMOVE LOWER CENTER PILLAR GARNISH LH**

- (a) Disconnect the front seat outer belt's floor anchor.

- (1) Remove the anchor cover.

- (2) Remove the bolt and disconnect the floor anchor.



以上内容仅为本文档的试下载部分，为可阅读页数的一半内容。如要下载或阅读全文，请访问：<https://d.book118.com/365142101032011203>