

BOEING 747

WIRING DIAGRAM MANUAL

CHAPTER 77 - ENGINE INDICATING

CHAPTER LIST OF EFFECTIVE PAGES

<u>CHAPTER SECTION SUBJECT</u>	<u>PAGE</u>	<u>SHT</u>	<u>DATE</u>	<u>CHAPTER SECTION SUBJECT</u>	<u>PAGE</u>	<u>SHT</u>	<u>DATE</u>
CHAPTER LIST OF EFFECTIVE PAGES	1		APR 05/2002	77-12-22	1		APR 05/2002
				77-12-23	1		APR 05/2002
CHAPTER TABLE OF CONTENTS	1 2		APR 05/2002 APR 05/2002	77-12-24	1		APR 05/2002
				77-31-11	1		APR 05/2002
CHAPTER ALPHABETICAL INDEX	1		APR 05/2002	77-31-12	1		APR 05/2002
77-12-11	1		APR 05/2002				
77-12-12	1		APR 05/2002				
77-12-13	1		APR 05/2002				
77-12-14	1		APR 05/2002				
77-12-21	1		APR 05/2002				

BOEING 747

WIRING DIAGRAM MANUAL

CHAPTER 77 - ENGINE INDICATING

CHAPTER TABLE OF CONTENTS

<u>TITLE</u>	<u>CHAPTER SECTION SUBJECT</u>	<u>PAGE</u>	<u>DATE</u>	<u>CUSTOMER EFFECTIVITY</u>
<u>POWER</u>				
ENGINE TACHOMETER- SYSTEM N1-ENGINE 1	77-12-11	1	APR 05/2002	051-999
ENGINE TACHOMETER- SYSTEM N1-ENGINE 2	77-12-12	1	APR 05/2002	051-999
ENGINE TACHOMETER- SYSTEM N1-ENGINE 3	77-12-13	1	APR 05/2002	051-999
ENGINE TACHOMETER- SYSTEM N1-ENGINE 4	77-12-14	1	APR 05/2002	051-999
ENGINE TACHOMETER- SYSTEM N2-ENGINE 1	77-12-21	1	APR 05/2002	051-999

BOEING 747

WIRING DIAGRAM MANUAL

CHAPTER 77 - ENGINE INDICATING

CHAPTER TABLE OF CONTENTS

<u>TITLE</u>	<u>CHAPTER SECTION SUBJECT</u>	<u>PAGE</u>	<u>DATE</u>	<u>CUSTOMER EFFECTIVITY</u>
ENGINE TACHOMETER- SYSTEM N2-ENGINE 2	77-12-22	1	APR 05/2002	051-999
ENGINE TACHOMETER- SYSTEM N2-ENGINE 3	77-12-23	1	APR 05/2002	051-999
ENGINE TACHOMETER- SYSTEM N2-ENGINE 4	77-12-24	1	APR 05/2002	051-999
<u>ANALYZERS</u>				
ENGINE VIBRATION MONITOR- ENGINE 1	77-31-11	1	APR 05/2002	051-999
ENGINE VIBRATION MONITOR- ENGINES 3 & 4	77-31-12	1	APR 05/2002	051-999

BOEING 747

WIRING DIAGRAM MANUAL

CHAPTER 77 - ENGINE INDICATING

CHAPTER ALPHABETICAL INDEX

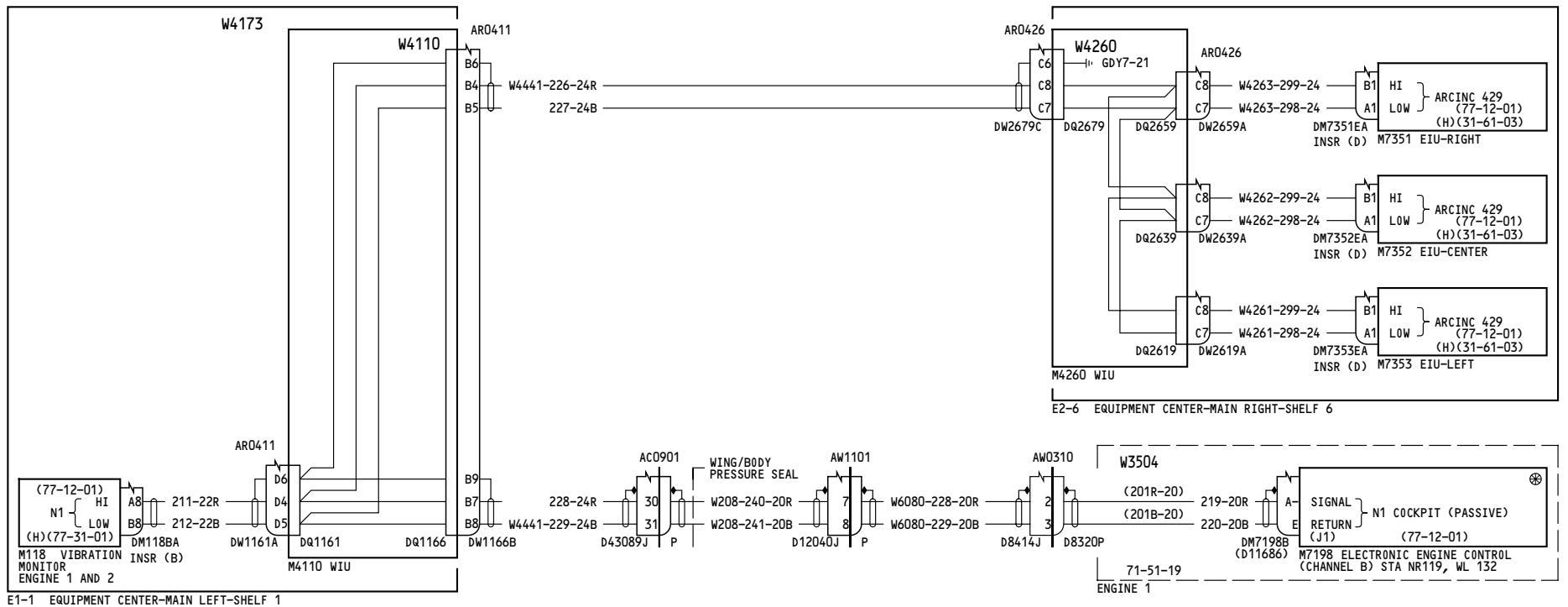
<u>TITLE</u>	<u>CHAPTER SECTION SUBJECT</u>	<u>TITLE</u>	<u>CHAPTER SECTION SUBJECT</u>
ENGINE TACHOMETER- SYSTEM N1-ENGINE 1	77-12-11	ENGINE TACHOMETER- SYSTEM N2-ENGINE 4	77-12-24
ENGINE TACHOMETER- SYSTEM N1-ENGINE 2	77-12-12	ENGINE VIBRATION MONITOR- ENGINE 1	77-31-11
ENGINE TACHOMETER- SYSTEM N1-ENGINE 3	77-12-13	ENGINE VIBRATION MONITOR- ENGINES 3 & 4	77-31-12
ENGINE TACHOMETER- SYSTEM N1-ENGINE 4	77-12-14		
ENGINE TACHOMETER- SYSTEM N2-ENGINE 1	77-12-21		
ENGINE TACHOMETER- SYSTEM N2-ENGINE 2	77-12-22		
ENGINE TACHOMETER- SYSTEM N2-ENGINE 3	77-12-23		

BOEING 747

GUN WIRING DIAGRAM MANUAL

SEP-13B

-B
3



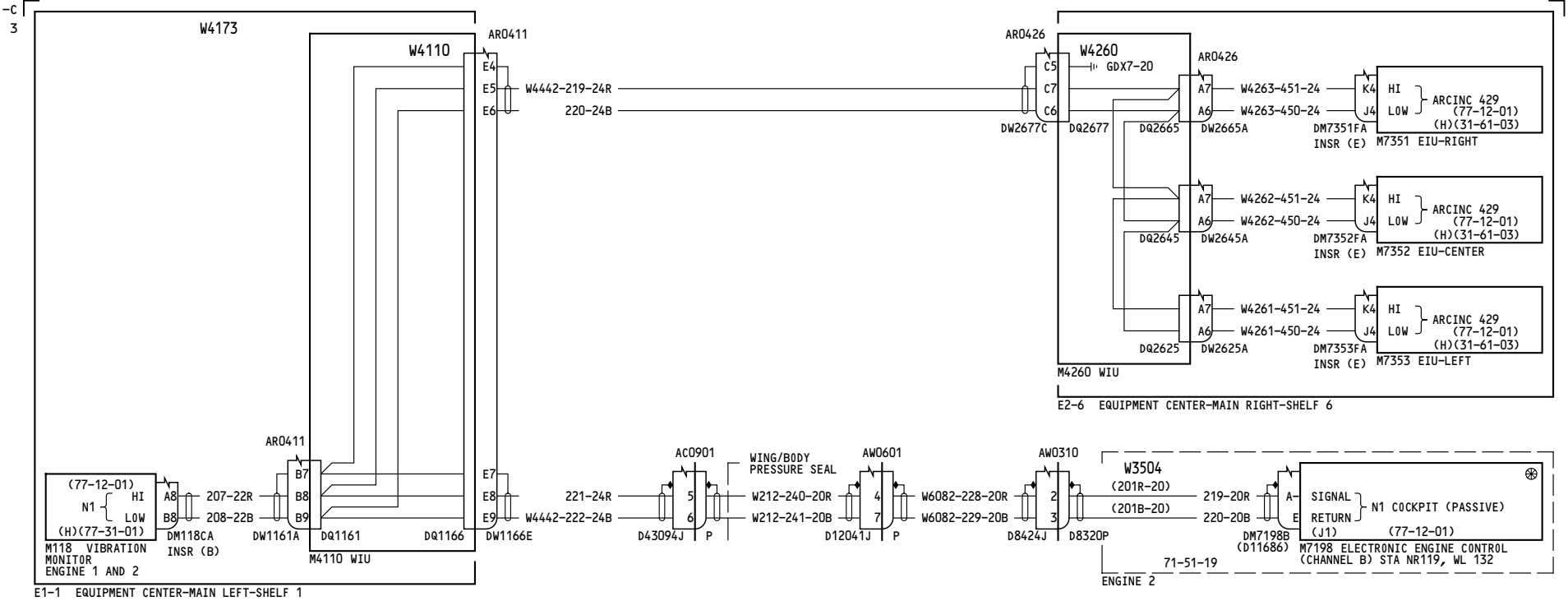
NOTES:
SHIELD PIGTAIL TO DISCONNECT BACKSHELL 2 INCH MAXIMUM

051-999

ENGINE TACHOMETER-
SYSTEM N1-ENGINE 1

MANUAL NO: D280U144

77-12-11
PAGE 1
APR 05/2002



NOTES:
SHIELD PIGTAIL TO DISCONNECT BACKSHELL 2 INCH MAXIMUM

051-999	ENGINE TACHOMETER-SYSTEM N1-ENGINE 2
---------	--------------------------------------

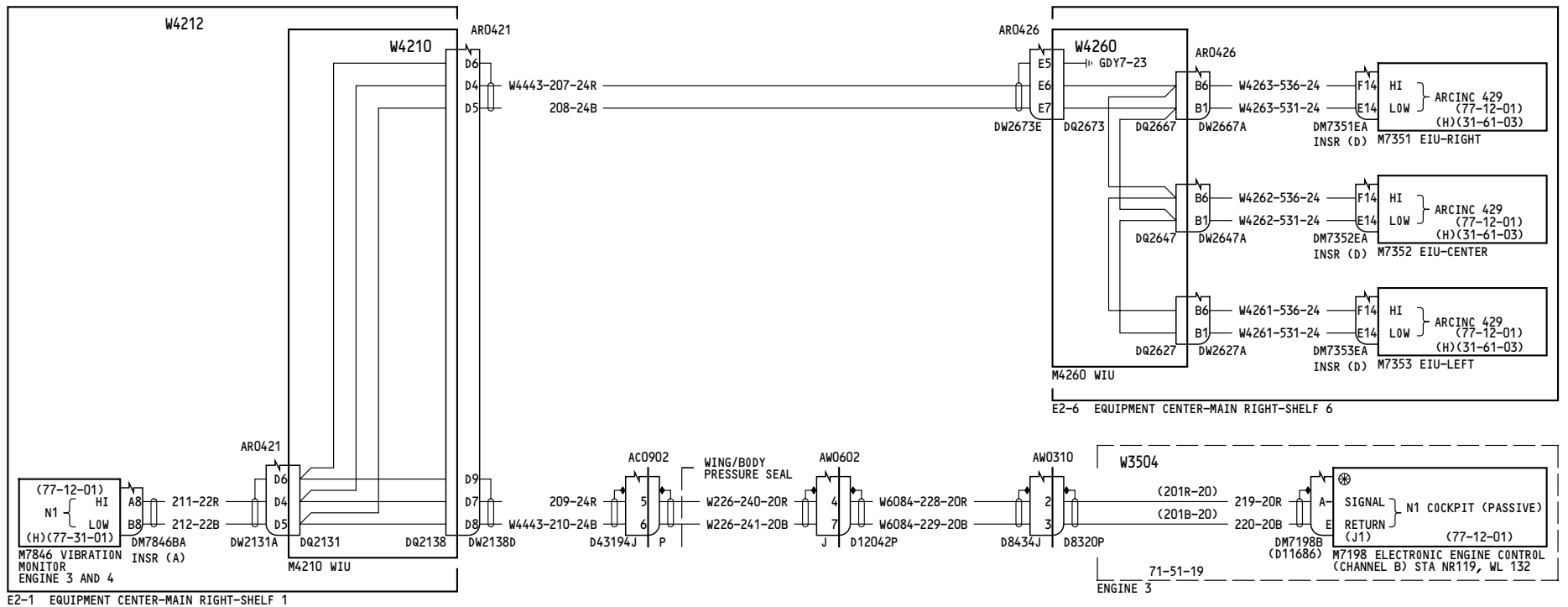
MANUAL NO: D280U144

BOEING 747

GUN WIRING DIAGRAM MANUAL

SEP-33B

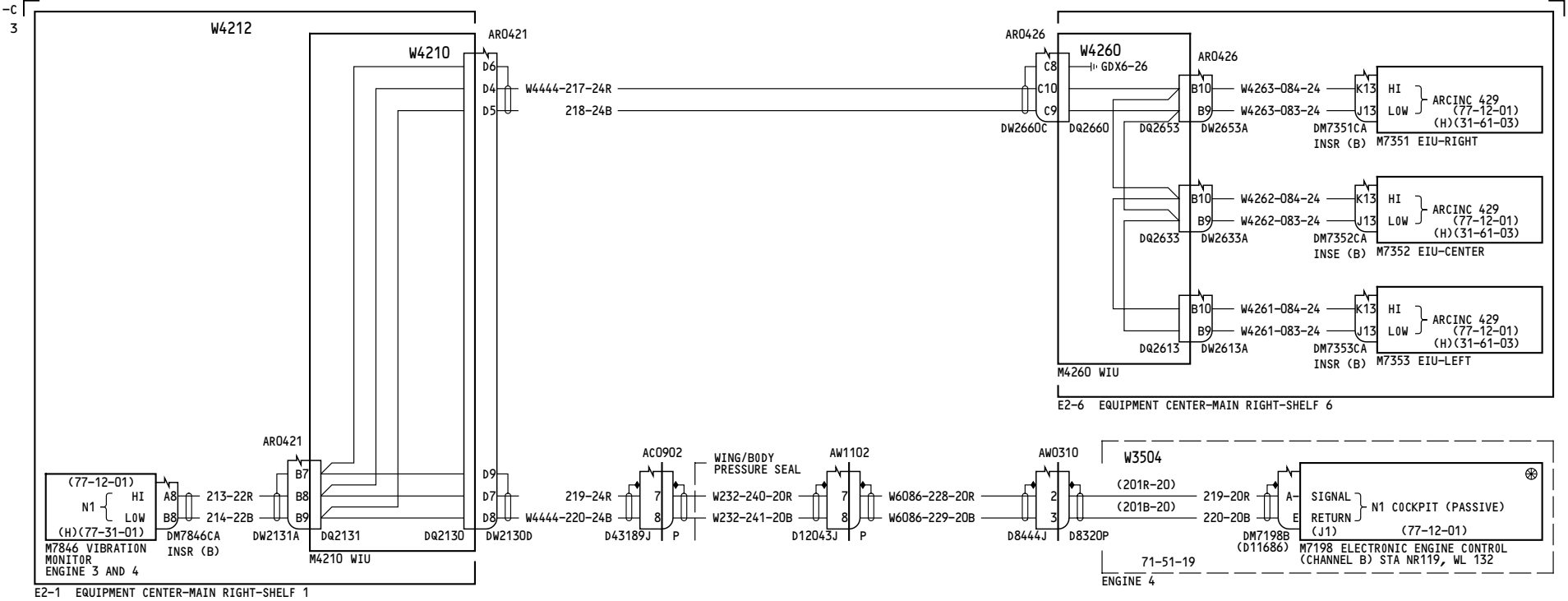
-E
3



NOTES:
SHIELD PIGTAIL TO DISCONNECT BACKSHELL 2 INCH MAXIMUM

051-999	ENGINE TACHOMETER- SYSTEM N1-ENGINE 3
---------	--

MANUAL NO: D280U144



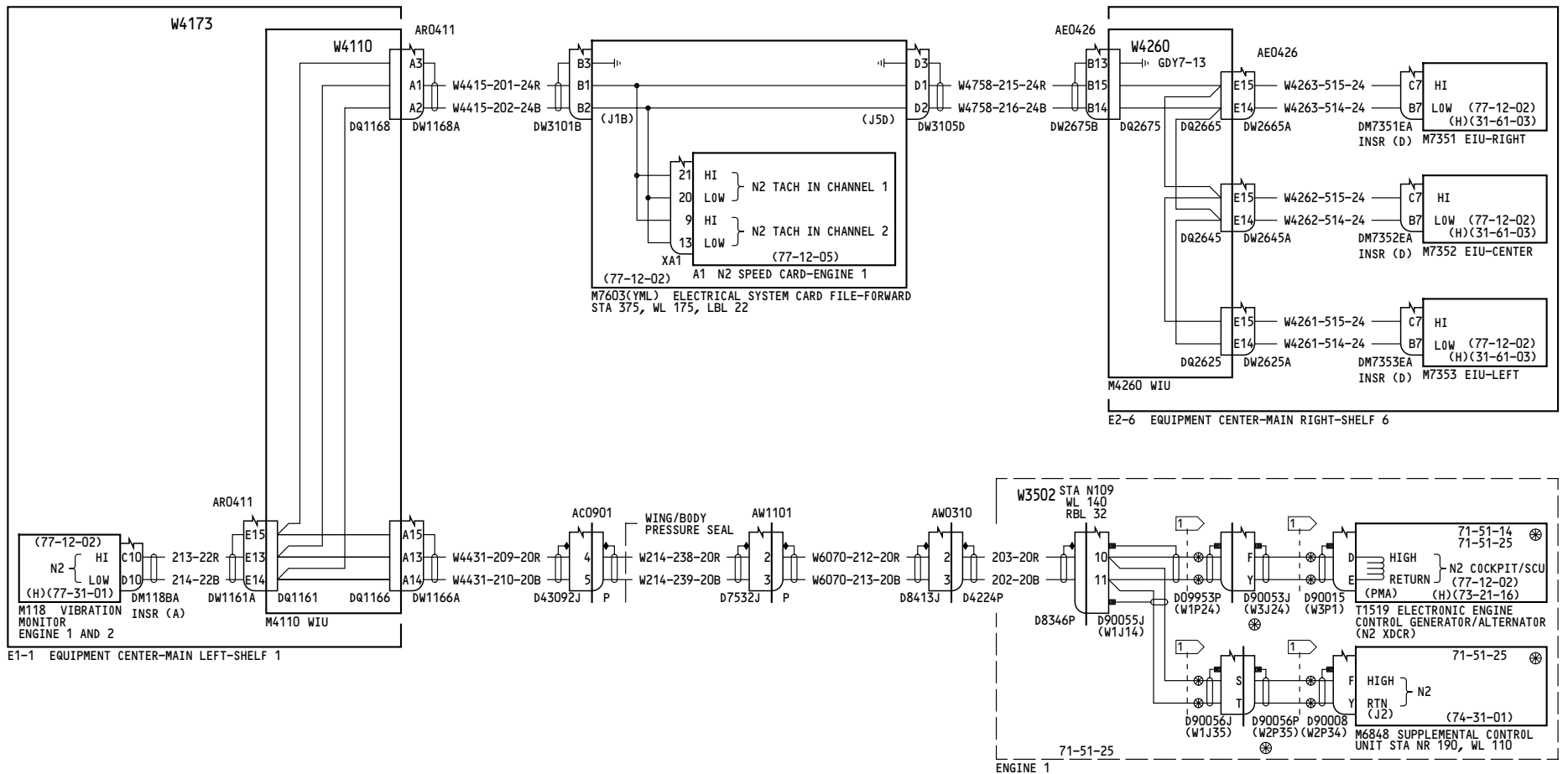
NOTE:
SHIELD PIGTAIL TO DISCONNECT BACKSHELL 2 INCH MAXIMUM

051-999	ENGINE TACHOMETER- SYSTEM N1-ENGINE 4
---------	--

MANUAL NO: D280U144

SEP-13

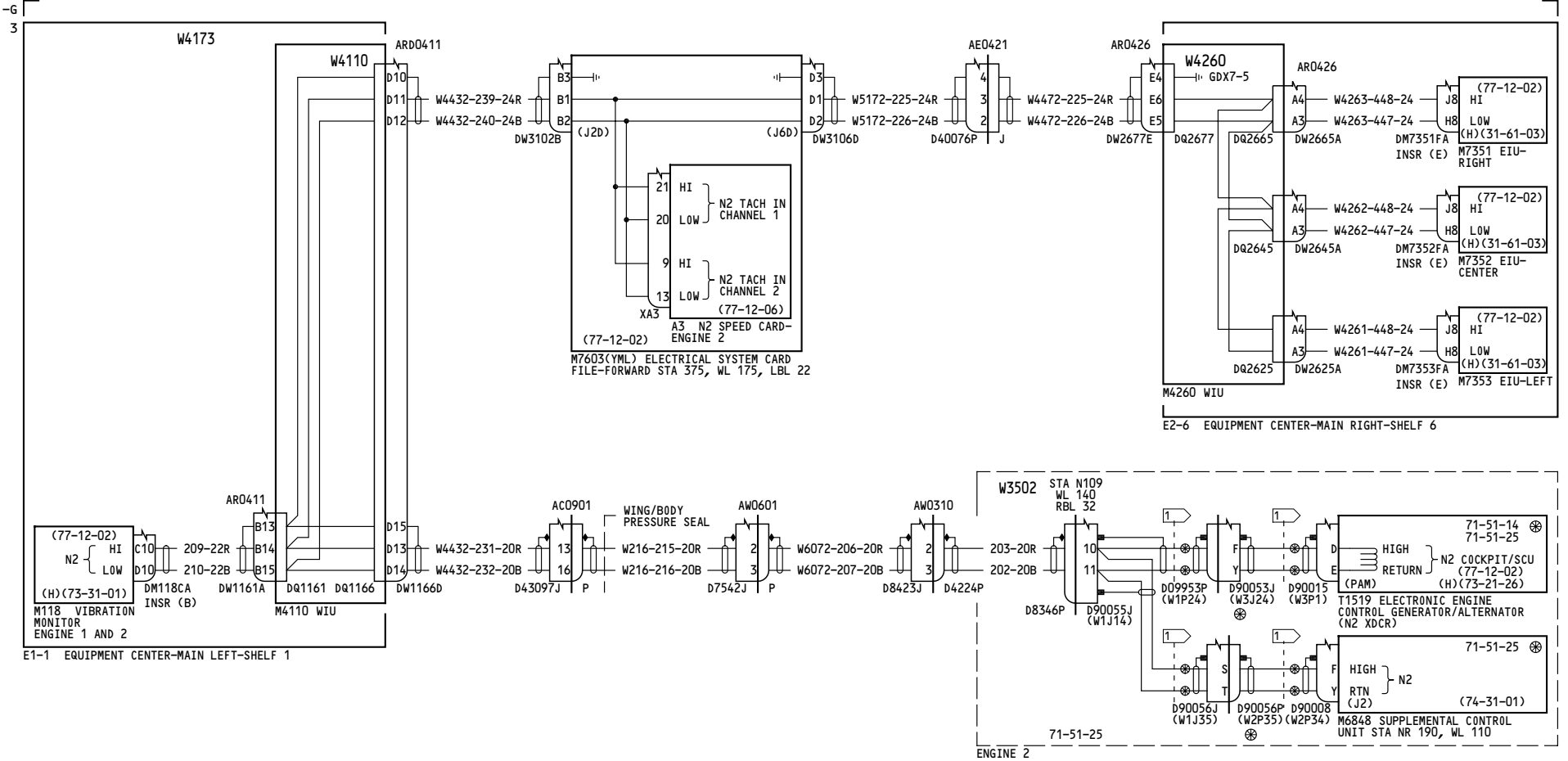
-M
3



E1-1 EQUIPMENT CENTER-MAIN LEFT-SHELF 1

NOTES:
SHIELD PIGTAIL TO DISCONNECT BACKSHELL 2 INCH MAXIMUM
① WIRE TYPE-SIMMONDS PRECISION (V83311) PN 151178 AWG 20

051-999	ENGINE TACHOMETER- SYSTEM N2-ENGINE 1
---------	--



NOTES:
 SHIELD PIGTAIL TO DISCONNECT BACKSHELL 2 INCH MAXIMUM
 ① WIRE TYPE-SIMMONDS PRECISION (V83311) PN 151178 AWG 20

051-999	ENGINE TACHOMETER-SYSTEM N2-ENGINE 2
---------	--------------------------------------

以上内容仅为本文档的试下载部分，为可阅读页数的一半内容。如要下载或阅读全文，请访问：<https://d.book118.com/775334023311011242>