

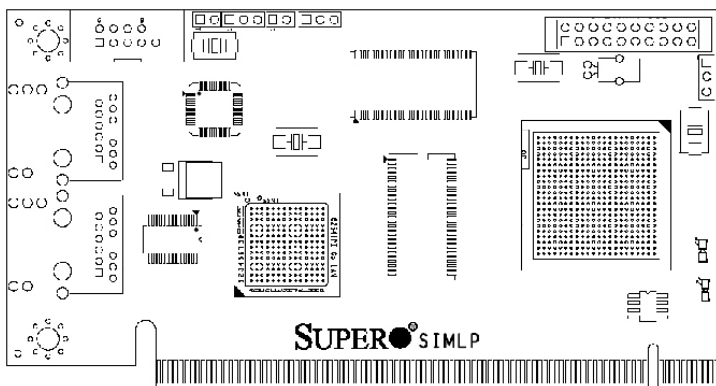
# SUPER<sup>®</sup>

SUPER<sup>®</sup>AOC-SIMLP-B

SUPER<sup>®</sup>AOC-SIMLP-B+

SUPER<sup>®</sup>AOC-SIMLP-3

SUPER<sup>®</sup>AOC-SIMLP-3+



## USER'S GUIDE

Rev. 1.1

The information in this User's Guide has been carefully reviewed and is believed to be accurate. The vendor assumes no responsibility for any inaccuracies that may be contained in this document, makes no commitment to update or to keep current the information in this manual, or to notify any person or organization of the updates.

---

**Please Note: For the most up-to-date version of this manual, please see our web site at [www.supermicro.com](http://www.supermicro.com).**

SUPERMICRO COMPUTER reserves the right to make changes to the product described in this manual at any time and without notice. This product, including software, if any, and documentation may not, in whole or in part, be copied, photocopied, reproduced, translated or reduced to any medium or machine without prior written consent.

IN NO EVENT WILL SUPERMICRO COMPUTER BE LIABLE FOR DIRECT, INDIRECT, SPECIAL, INCIDENTAL, OR CONSEQUENTIAL DAMAGES ARISING FROM THE USE OR INABILITY TO USE THIS PRODUCT OR DOCUMENTATION, EVEN IF ADVISED OF THE POSSIBILITY OF SUCH DAMAGES. IN PARTICULAR, THE VENDOR SHALL NOT HAVE LIABILITY FOR ANY HARDWARE, SOFTWARE, OR DATA STORED OR USED WITH THE PRODUCT, INCLUDING THE COSTS OF REPAIRING, REPLACING, INTEGRATING, INSTALLING OR RECOVERING SUCH HARDWARE, SOFTWARE, OR DATA.

---

Any disputes arising between manufacturer and customer shall be governed by the laws of Santa Clara County in the State of California, USA. The State of California, County of Santa Clara shall be the exclusive venue for the resolution of any such disputes. Supermicro's total liability for all claims will not exceed the price paid for the hardware product.

---

**WARNING:** Handling of lead solder materials used in this product may expose you to lead, a chemical known to the State of California to cause birth defects and other reproductive harm.

---

Manual Revision: Rev. 1.1

Release Date: July 17, 2012

Unless you request and receive written permission from SUPER MICRO COMPUTER, Inc., you may not copy any part of this document.

Information in this document is subject to change without notice. Other products and companies referred to herein are trademarks or registered trademarks of their respective companies or mark holders.

Copyright © 2012 by SUPER MICRO COMPUTER, INC.  
All rights reserved.

**Printed in the United States of America**

---

---



---

## Table of Contents

<b>Chapter 1: Introduction .....</b>	<b>1-4</b>
1.1 Overview .....	1-4
1.2 IPMI Version 2.0.....	1-5
1.3 Product Features.....	1-6
1.4 Checklist .....	1-6
1.5 An important Note to the User .....	1-6
1.6 Contacting Supermicro.....	1-7
<b>Chapter 2: Technical Specifications and Software Installation .....</b>	<b>2-1</b>
2.1 AOC-SIMLP-B/SIMLP-B+/SIMLP-3/SIMLP-3+ Card Layout and Jumper .....	2-1
2.2 Block Diagram .....	2-3
2.3 Safety Guidelines .....	2-4
<b>Chapter 3: Software Application and Usage .....</b>	<b>3-1</b>
<b>3.1 Home Page .....</b>	<b>3-3</b>
<b>3.2 Functions Listed On the Home Page .....</b>	<b>3-5</b>
3.2.1 Remote Control .....	3-5
3.2.2 Virtual Media.....	3-7
3.2.3 System Health .....	3-11
3.2.4 User Management .....	3-17
3.2.5 KVM Settings.....	3-21
3.2.6 Device Settings.....	3-25
3.2.7 Maintenance .....	3-38
<b>3.3 Remote Console Main Page .....</b>	<b>3-42</b>
3.3.1 Remote Console Options .....	3-43
<b>Chapter 4: Frequently Asked Questions .....</b>	<b>4-1</b>

# Chapter 1

## Introduction

This manual is written for system integrators, PC technicians and knowledgeable PC users who intend to integrate Supermicro's unique IPMI 2.0 Management functionality with the capability of KVM-over-LAN into their systems. It provides detailed information for the application and use of the AOC-SIMLP-B/SIMLP-B+/SIMLP-3/SIMLP-3+ that supports remote access for system monitoring, diagnosis and management. With the most advanced technologies built-in, the AOC-SIMLP-B/SIMLP-B+/SIMLP-3/SIMLP-3+ offers a complete, efficient, and cost effective remote server management.

### **1.1 Overview**

The AOC-SIMLP-B/SIMLP-B+/SIMLP-3/SIMLP-3+ is a highly efficient, highly compatible and easy-to-use IPMI card that allows the user to take advantage of BMC, a baseboard management controller installed on a server motherboard and the IPMIView, an IPMI-compliant management application software loaded in a PC, to provide serial links between the main processor and other system components, allowing for network interfacing via remote access. With an independent Peppercon's KIRA100 processor built-in, the AOC-SIMLP-B/SIMLP-B+/SIMLP-3/SIMLP-3+ provides the user a solution to ease the complex and expensive systems, allowing an administrator to access, monitor, diagnose and manage network interfacing anywhere, anytime.

### **1.2 IPMI Version 2.0**

The AOC-SIMLP-B/SIMLP-B+/SIMLP-3/SIMLP-3+ supports the functionality of IPMI Version 2.0. The key features include the following:

- Supports IPMI over LAN
- Supports Serial over LAN
- Supports KVM over LAN (\*AOC-SIMLP-B+, AOC-SIMLP-3+ only)
- Supports Virtual Media over LAN
- Supports LAN Alerting-SNMP Trap
- Supports Event Log
- Offers OS (Operating System) Independency
- Provides remote Hardware Health Monitoring via IPMI. Key features include the following:
  - Temperature monitoring
  - Fan speed monitoring

- Voltage monitoring
- Power status monitoring, chassis intrusion monitoring
- Remote power control to power-on, power-off or reboot a system
- Remote access to text-based, graphic-based system information, including BIOS configurations and OS operation information (KVM)
- Remote management of utility/software applications
- Provides Network Management Security via remote access/console redirection. Key features include:
  - User authentication enhancement
  - Encryption support enhancement, allowing for password configuration security to protect sensitive data transferring via Serial over LAN

### **1.3. Product Features**

#### **(a) The AOC-SIMLP-B/SIMLP-B+ Series: (IPMI 2.0 with a Dedicated LAN)**

- Low profile Form Factor (5.1" W x 2.7" H) (129.3 mm W x 68.8 mm H)
- Supports 2U systems and above
- Supports IPMI over LAN

#### **(b) The AOC-SIMLP-3/SIMLP-3+\* Series: (IPMI 2.0 with a Dedicated LAN and the Intel 82541PI GLAN Controller)**

- Low profile Form Factor (5.1" W x 2.7" H) (129.3 mm W x 68.8 mm H)
- Supports 2U systems and above (\*AOC-SIMLP-3/AOC-SIMLP-3+ only)
- Supports IPMI over LAN
- Intel's 82541 PI Gigabit LAN Controller (with 3rd data LAN support)
- The AOC-SIMLP-3+ supports KVM

#### **(c) Features Supported by Individual Models**

<b>Features</b>	<b>Dedicated LAN for IPMI</b>	<b>Intel 82541 PI for Data Transmission</b>	<b>KVM-over-LAN</b>
<b>SIMLP-B</b>	Yes	-----	-----
<b>SIMLP-B+</b>	Yes	-----	Yes
<b>SIMLP-3</b>	Yes	Yes	-----
<b>SIMLP-3+</b>	Yes	Yes	Yes

## **1.4 CheckList**

If your shipping package came with missing or damaged parts, please contact Supermicro's Tech. Support. Please refer to the following checklist when contacting us.

i. AOC-SIMLP-B/SIMLP-B+/SIMLP-3/SIMLP-3+:

ii. Brackets: One full-size bracket, one low-profile bracket and two screws,

iii. CDR-SIMIPMI: One Installation CD

iv. White Box with Correct Barcode Label (showing AOC-SIMLP-B/SIMLP-B+/SIMLP-3/SIMLP-3+).

## **1.5 An Important Note to the User**

The drawings and pictures shown in this manual were based on the latest PCB Revision available at the time of publishing of the manual. The AOC-SIMLP-B/SIMLP-B+/SIMLP-3/SIMLP-3+ card you've received may or may not look exactly the same as the graphics shown in the manual.

## **1.6 Contacting Supermicro**

### **Headquarters**

Address: SuperMicro Computer, Inc.  
980 Rock Ave.  
San Jose, CA 95131 U.S.A.

Tel: +1 (408) 503-8000

Fax: +1 (408) 503-8008

Email: [marketing@supermicro.com](mailto:marketing@supermicro.com) (General Informaion)  
[support@supermicro.com](mailto:support@supermicro.com) (Technical Support)

Web Site: [www.supermicro.com](http://www.supermicro.com)

### **Europe**

Address: SuperMicro Computer B.V.  
Het Sterrenbeeld 28, 5215 ML  
's-Hertogenbosch, The Netherlands

Tel: +31 (0) 73-6400390

Fax: +31 (0) 73-6416525

Email: [sales@supermicro.nl](mailto:sales@supermicro.nl) (General Information)  
[support@supermicro.nl](mailto:support@supermicro.nl) (Technical Support)  
[rma@supermicro.nl](mailto:rma@supermicro.nl) (Customer Support)

### **Asia-Pacific**

Address: SuperMicro, Taiwan  
4F, No. 232-1 Liancheng Road  
Chung-Ho Dist., New Taipei City 235  
Taiwan, R.O.C.

Tel: +886-(2) 8226-3990

Fax: +886-(2) 8226-3991

Web Site: [www.supermicro.com.tw](http://www.supermicro.com.tw)

Email: [support@supermicro.com.tw](mailto:support@supermicro.com.tw) (Technical Support)

Tel: +886-(2) 8226-5990 (Technical Support)

## Notes

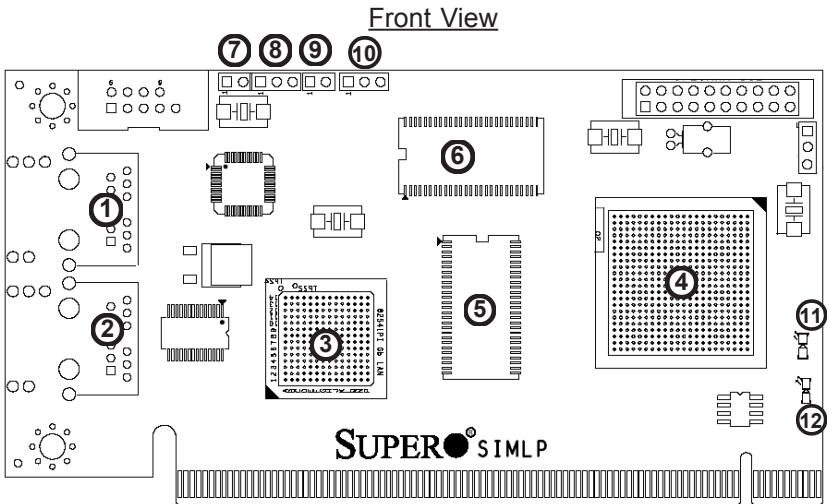


# Chapter 2

## Technical Specifications and Software Installation

### 2.1 AOC-SIMLP-B/SIMLP-B+/SIMLP-3/SIMLP-3+ Card Layout and Jumper Locations

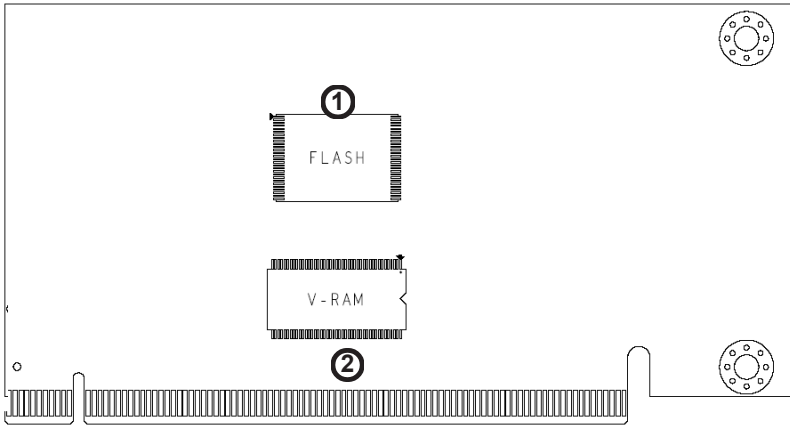
#### SUPER<sup>®</sup> AOC-SIMLP-B/SIMLP-B+/SIMLP-3/SIMLP-3+ Card Layout and Jumper Locations



#### Front Components

1. LAN Port 1 (JLAN1) for IPMI/Keyboard/Video/Mouse over IP
2. LAN Port 2 (JLAN2) for 3rd Data via Intel's 82541PI Controller
3. Intel's 82541PI GLAN Controller
4. Peppercon's KIRA 100 Processor
- 5/6. SDRAM (128Mb/133MHz)
7. JP5: LAN Port1 Activity LED Jumper
8. JP7: JLAN 2 Control Jumper
9. JP6: GLAN Port2 Activity LED Jumper
10. JP1: JLAN1 Control Jumper
11. D3: Power-on LED
12. D4: Heart-beat (Activity) LED

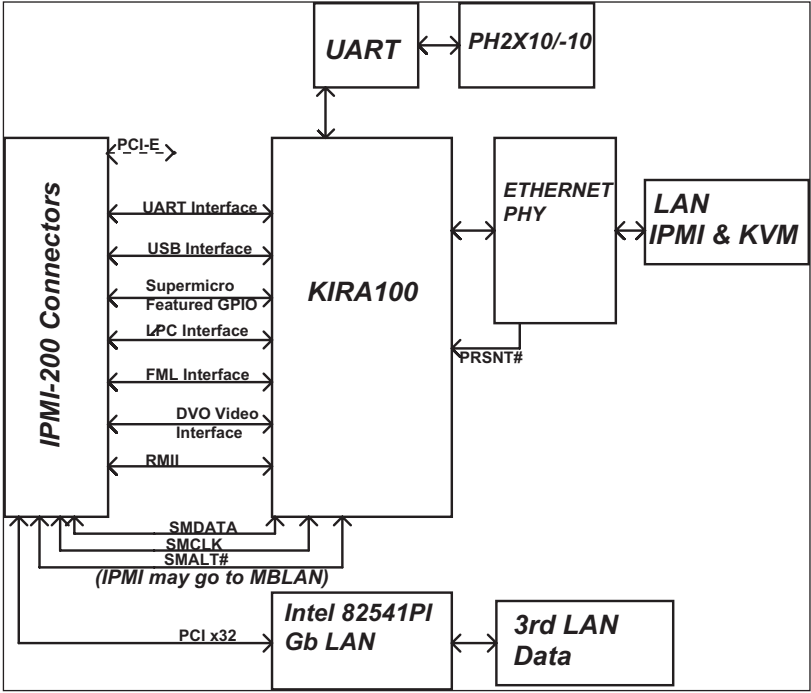
## Rear View



### **Rear Side Components**

1. Flash DRAM (64Mb/133MHz)
2. VRAM (64Mb/166MHz)

## 2.2 Block Diagram



以上内容仅为本文档的试下载部分，为可阅读页数的一半内容。如要下载或阅读全文，请访问：<https://d.book118.com/778070023112006121>