

G604

Setup Guide
完整设置指南

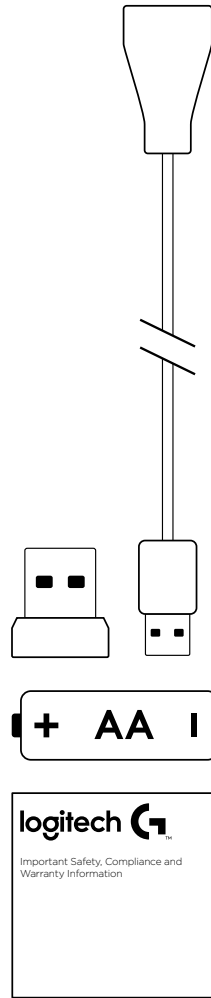
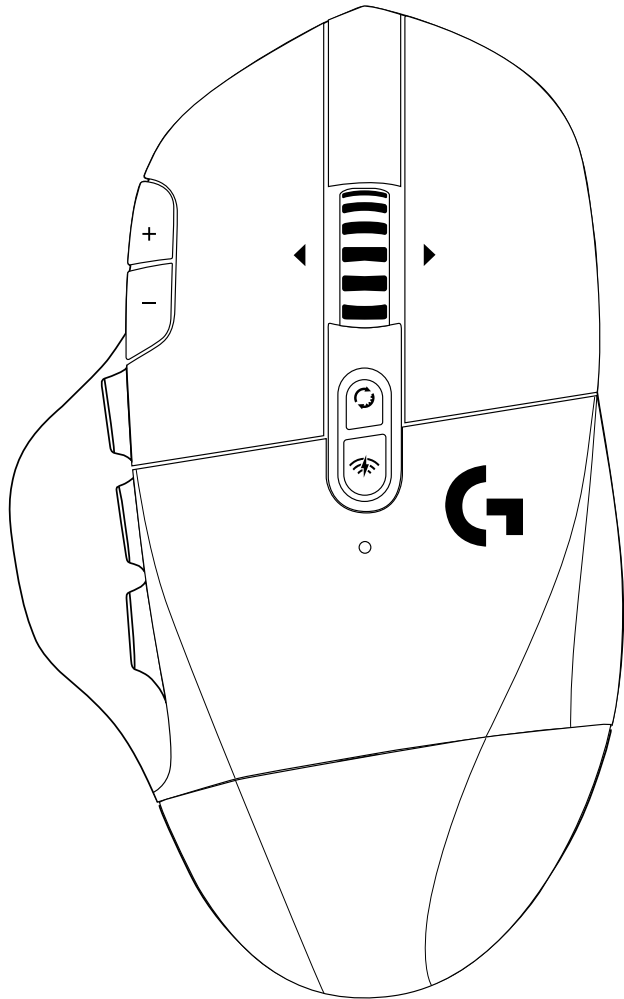
完整設定指南
설치 가이드



logitech ™



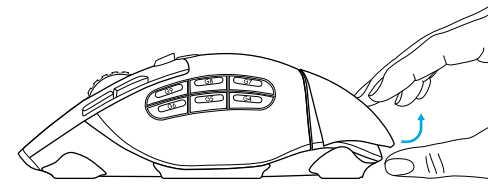
ENGLISH 3
简体中文 10
繁體中文 17
한국어 24



SETUP INSTRUCTIONS

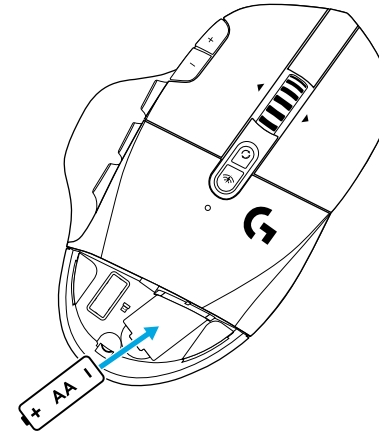
1 Remove the battery cover by lifting upward the back of the cover.

1



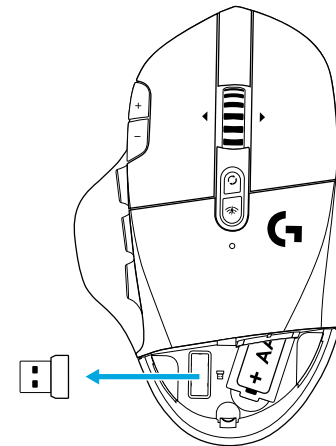
2 Insert the battery.

2



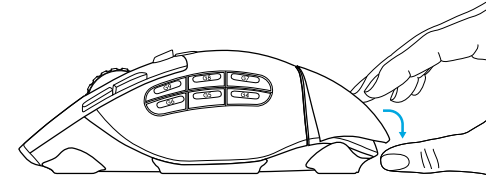
3 Remove the receiver.

3



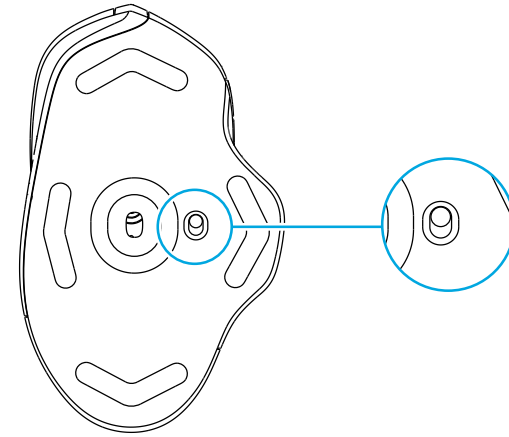
4 Close the battery cover.

4



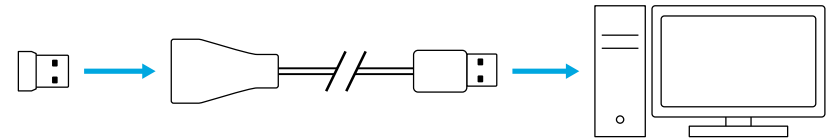
5 Make sure the switch on the bottom of the mouse is in the on position.

5



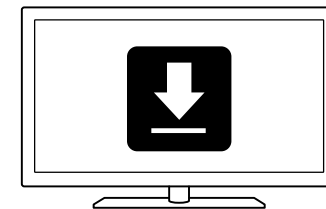
6 Recommended: Insert receiver into the receiver extension cable. Insert extension cable into your USB port. Alternatively, insert receiver directly into your USB port.

6



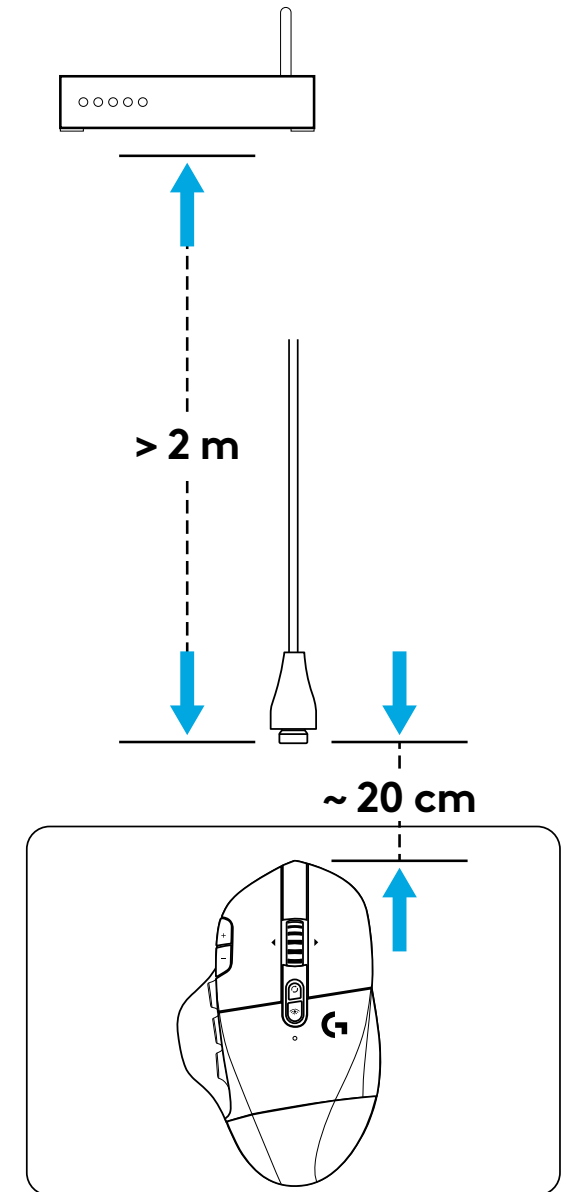
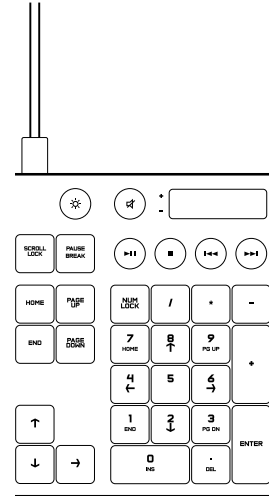
7 (Optional) Download Logitech G HUB software to access advanced features. Download at logitechG.com/ghub

7



Tips:

- To make your mouse lighter, a lithium AA battery (not included) can be used.
- G604 has a wireless range of up to 10 meters. To ensure optimal performance in noisy wireless environments, it is recommended to keep the receiver within 20 cm of the mouse.
- Keep the mouse and receiver 2 m+ away from wireless routers or other 2.4 GHz wireless devices to minimize environmental noise.



以上内容仅为本文档的试下载部分，为可阅读页数的一半内容。如要下载或阅读全文，请访问：<https://d.book118.com/886150043142010115>